

38337-ME

Panel Meter, LED Snap-in. 500V & 10A AC with CT

Snap-in LED panel meter contains both a 3 digit AC Volt Meter and a 3 digit AC Amp. meter. External Current Transformer can be mounted remotely up to 5m using 18AWG twisted pair.

Character Height: 0.28in.

Voltage: 50-500VAC

Resolution: 1V

Current: 0-9.99A

Resolution: .01A

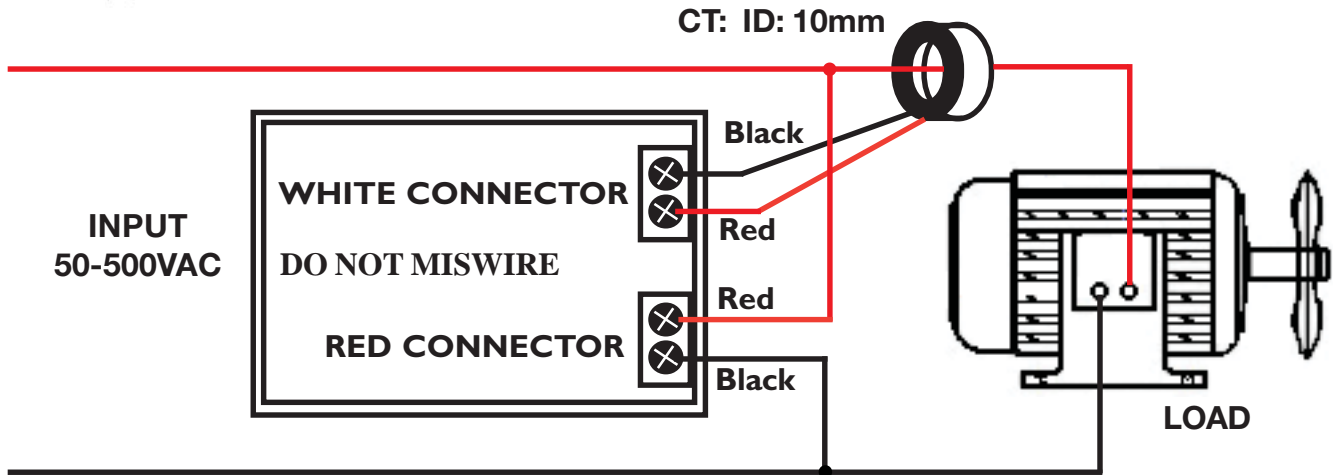
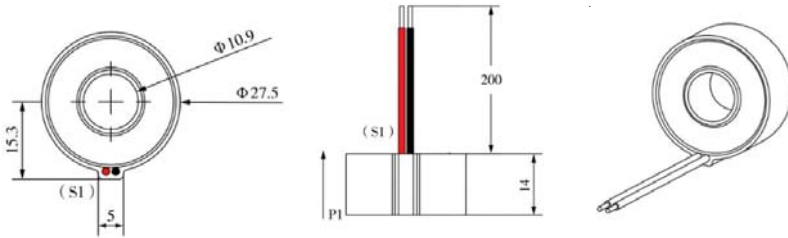
Accuracy: +-1% +1LSD

Includes 10A Current Transformer with 10mm ID.

6in. plug-in pigtail for CT & Power

Cutout: 46mm X 27mm

W: 48mm (1-7/8") **H:** 29mm (1-1/8") **D:** 22mm (7/8") **WT:** .06



Information including Drawings, Schematics, Links and Code (Software) Supplied or Referenced in this Document is supplied by MPJA inc. as a service to our customers and accuracy or usefulness is not guaranteed nor is it an Endorsement of any particular part, supplier or manufacturer. Use of information and suitability for any application is at users own discretion and user assumes all risk.

Information Subject to Change Without Notice
All rights are retained by the respective Owners/Author(s)



MARLIN P. JONES & ASSOC., INC.

P.O. Box 530400 Lake Park, FL 33403
800-652-6733 FAX 561-844-8764
WWW.MPJA.COM